



# 8 pt. 24VDC High Speed Input Module

| Module Specifications      |                                       |
|----------------------------|---------------------------------------|
| Number of Inputs           | 8 (sink/source)                       |
| Input Voltage Range        | 10-28 VDC                             |
| Peak Voltage               | 40 VDC                                |
| Input Current              | 1.92 mA @ 12 VDC<br>4.0 mA @ 24 VDC   |
| Maximum Input Current      | 5 mA @ 28 VDC                         |
| Input Impedance            | 5.6k @ 10-28 VDC                      |
| ON Voltage Level           | > 10 VDC                              |
| OFF Voltage Level          | < 2 VDC                               |
| Min. ON Current            | 1.5 mA                                |
| Min. OFF Current           | 0.2 mA                                |
| OFF to ON Response         | 0.2-0.4 ms,<br>typical 0.3 ms         |
| ON to OFF Response         | 0.2-0.4 ms,<br>typical 0.3 ms         |
| Status Indicators          | Red LED for each output               |
| Commons                    | 2 points                              |
| Fuse                       | No Fuse                               |
| Base Power Required (3.3V) | Typical 15 mA (all inputs on)         |
| Optical Isolation          | 2500 Volt                             |
| Wires                      | 1 of 14 AWG, 2 of 18 AWG, 4 of 22 AWG |

Conformal Coated



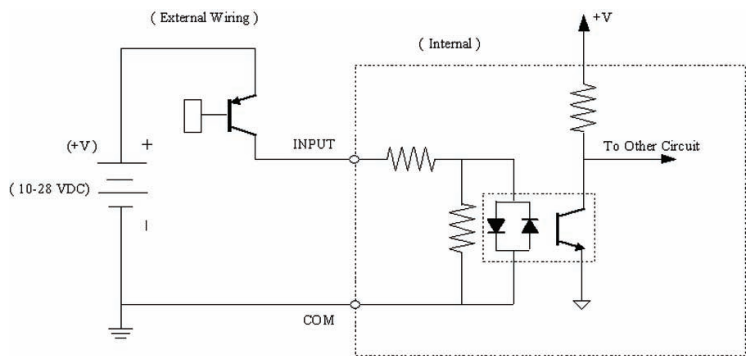
UTIO-8HSDCI

Terminal Block  
300 Volt/10  
Amp/14AWG UL  
Rating

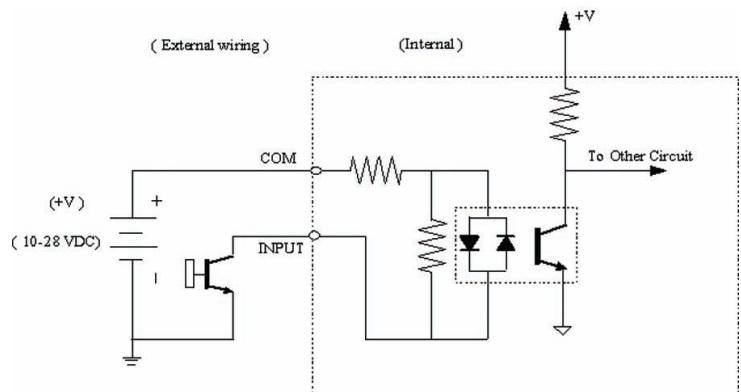
Tough I/O

| Pinout Information |               |
|--------------------|---------------|
| Pin No.            | UTIO-8HSDCI   |
| 1                  | Input(1)      |
| 2                  | Input(2)      |
| 3                  | Input(3)      |
| 4                  | Input(4)      |
| 5                  | COM           |
| 6                  | Input(5)      |
| 7                  | Input(6)      |
| 8                  | Input(7)      |
| 9                  | Input(8)      |
| 10                 | COM           |
| 11                 | Not Connected |

Note: Pin 5 and Pin10 are the same point electrically



DC INPUT ( SOURCE )



DC INPUT ( SINK )